



PRODUCT DATASHEET STRADA series

last update 6/9/2016

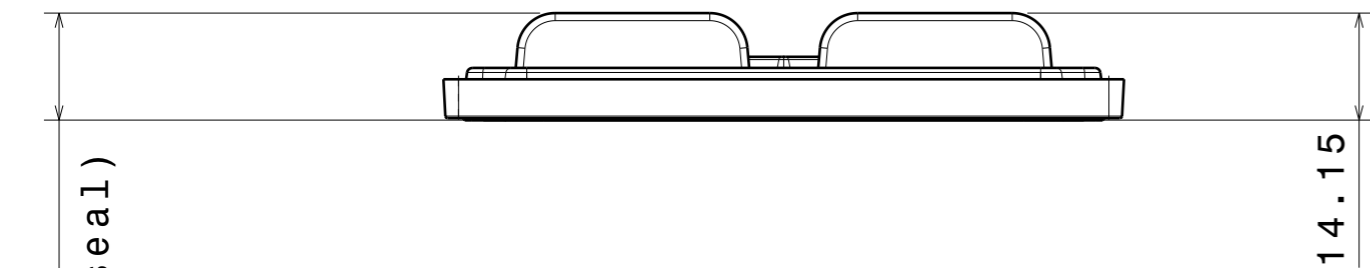
DETAILS

Product Number	CS15389_STRADA-2X2MX-T2-S
Family	STRADA
Type	Assembly
Color	clear
Diameter	90x90 mm
Height	11,13 mm
Style	square
Optic Material	PMMA
Holder Material	
Fastening	
Status	production ready
ROHS Compliant	Yes
Date Updated	6/09/2016



OPTICAL PROPERTIES

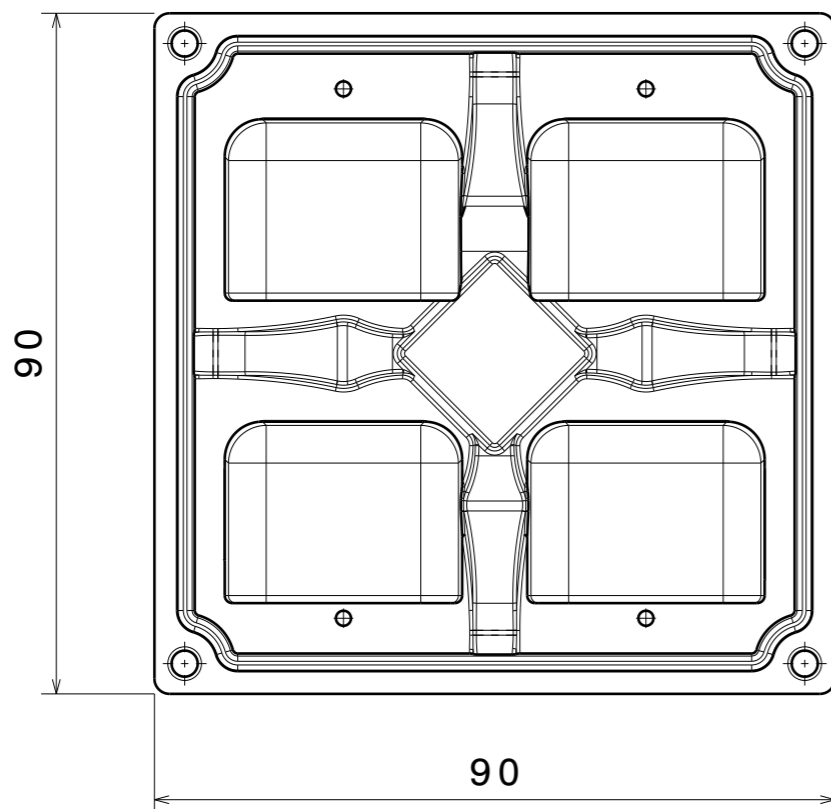
LED	Viewing Angle	Light Beam	Efficiency	cd/lm	Connector
XHP70	sim: Asym	Streetligh...	sim: 94 %	sim: 0.590	-
LUXEON M	Asymmetric de	Streetligh...	-	-	-



13.73

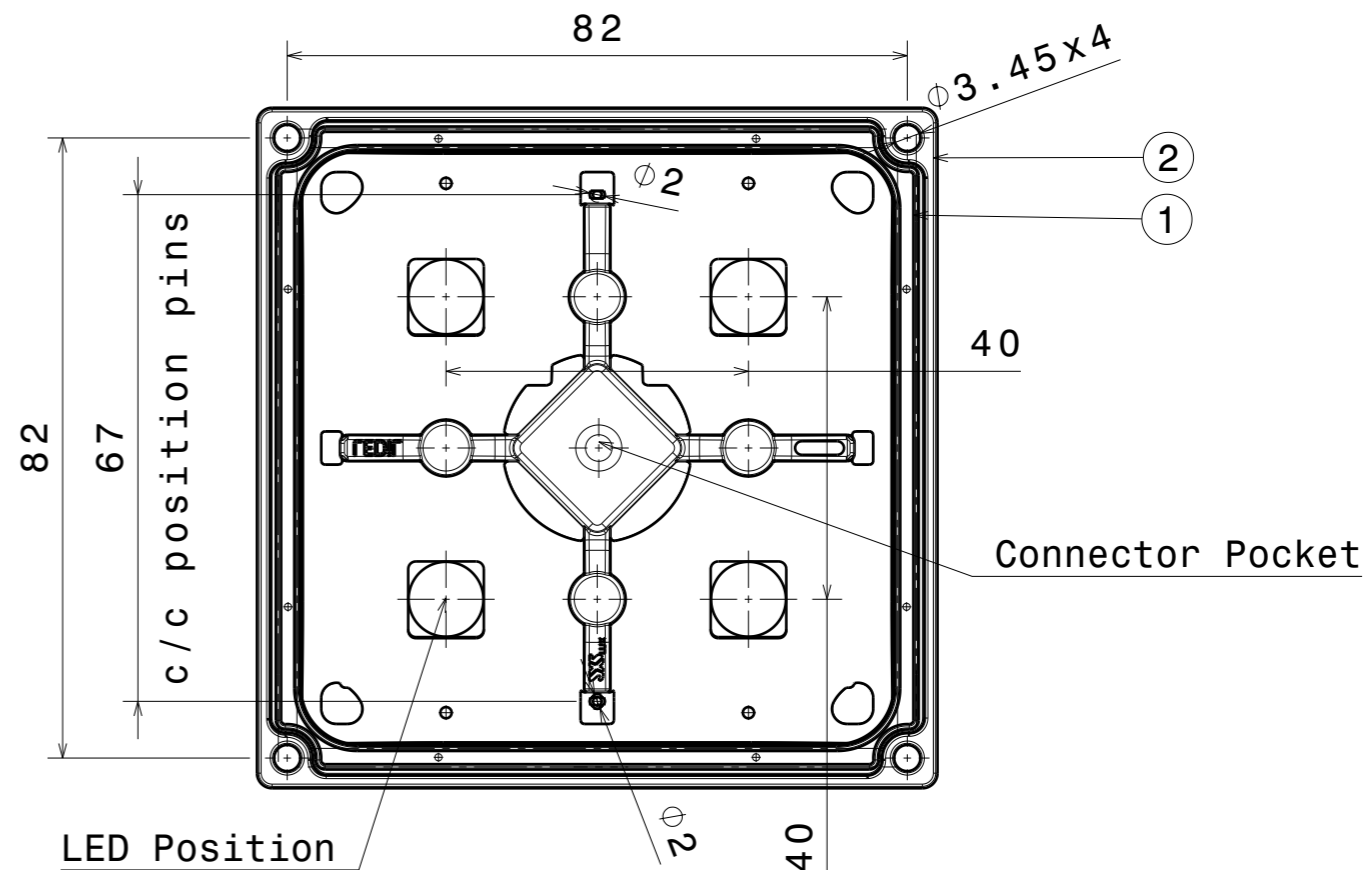
(incompressible seal)

14.15



90

90



82

3.45x4

2

1

40

82

67

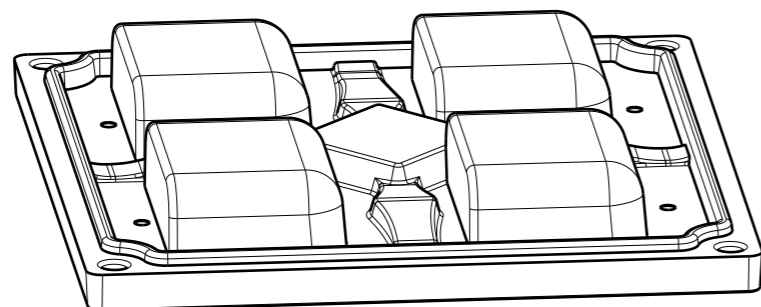
c/c position pins

Connector Pocket

LED Position

2

40



INDEX	PART NO	DESCRIPTION	MATERIAL	COLOUR
1	C14631	STRADA-2X2MX-SEAL	RBB2030-40	
2	C15390	STRADA-2X2MX-T2-S	PMMA 8N	

Tolerances if not otherwise shown
According to DIN ISO 2768-1
Linear measures:
up to 30mm class M, otherwise class C
According to DIN ISO 2768-2
Form and position: class L

LEDiL

LediL Oy
Salorankatu 10
FIN 24240 SALO
Finland

THIRD ANGLE PROJECTION:



DRAWING TITLE

CS15389_STRADA-2X2MX-T2-S

SIZE PART NUMBER

A3

CS14841

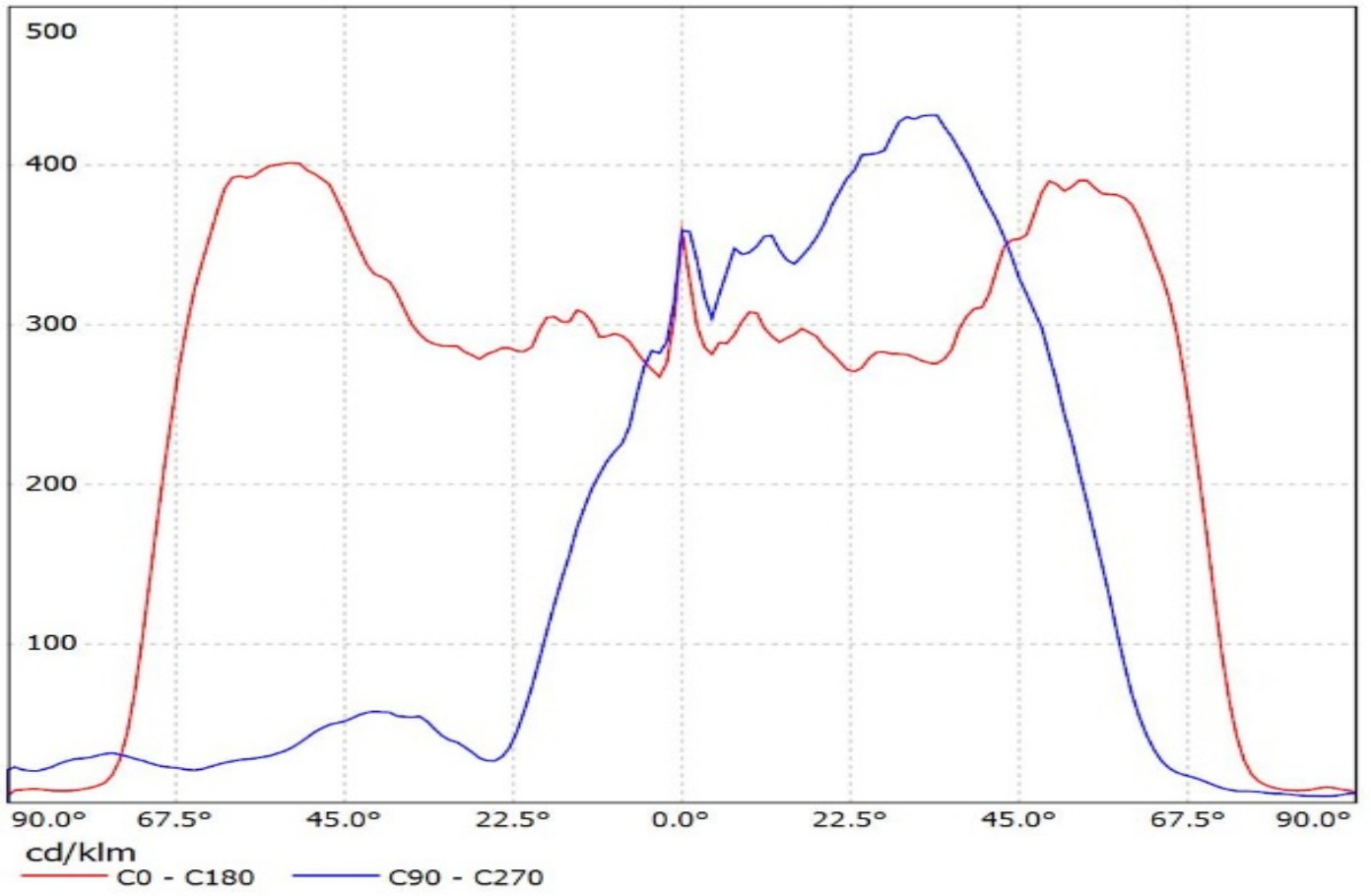
SCALE 1:1 WEIGHT

-

SHEET 1/1

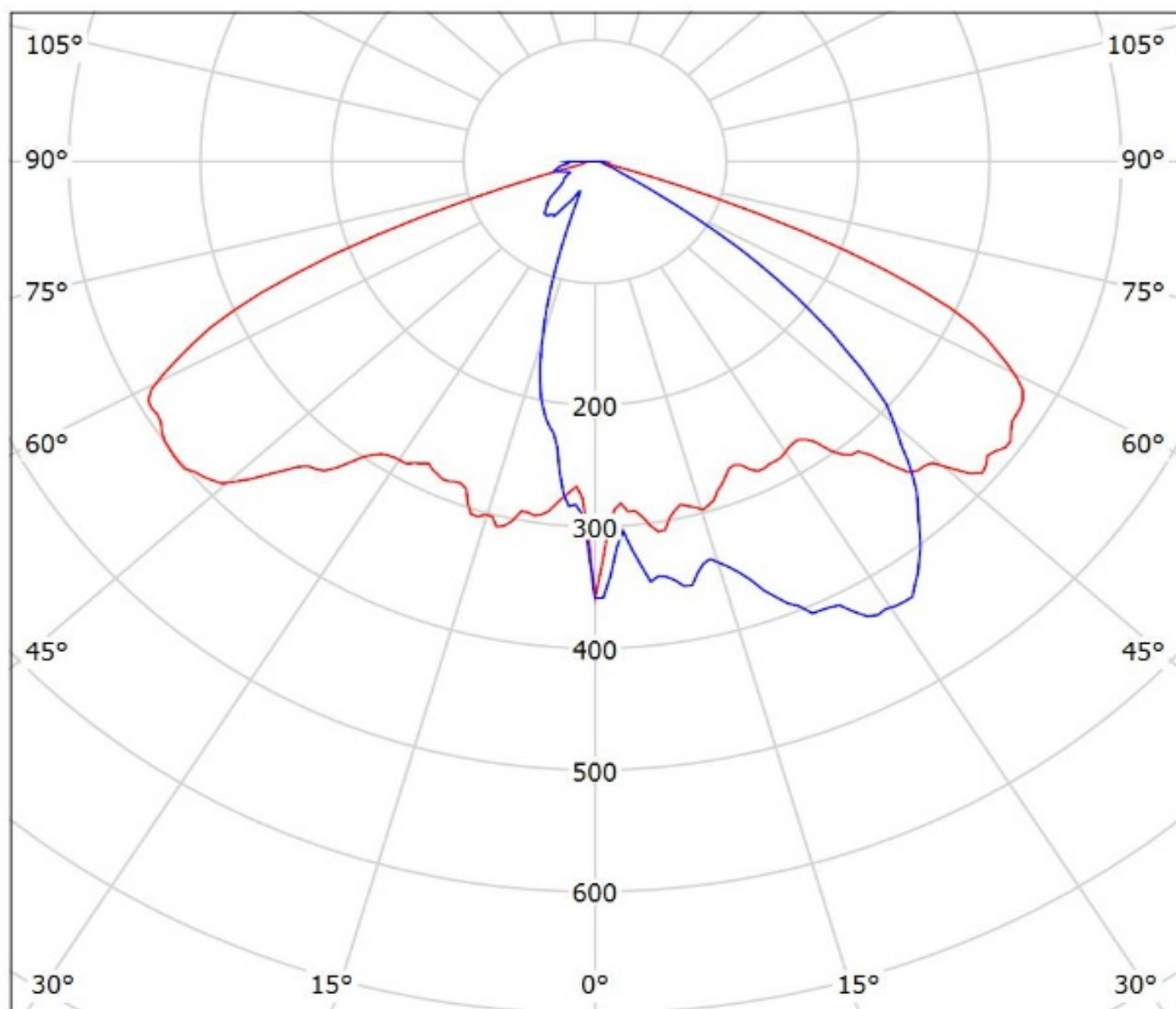
This drawing is the property
of LEDiL Oy. It may not be
reproduced, copied or
communicated without a written
agreement with LEDiL Oy.

Luminaire: Ledil Oy CS15389_STRADA-2X2MX-T2-S_(XHP70)_SIMULATED
Lamps: 1 x Cree XHP70 - 1.00 W



Luminaire: Ledil Oy CS15389_STRADA-2X2MX-T2-S_(XHP70)_SIMULATED

Lamps: 1 x Cree XHP70 - 1.00 W



cd/klm

— C0 - C180

— C90 - C270

NOTE: The typical divergence will be changed by different color, chip size and chip position tolerance. The typical total divergence is the full angle measured where the luminous intensity is half of the peak value.